

APPLICATION:  
 JOB NAME:  
 QUANTITY:                      ITEM NO.

PRODUCT NAME:  
 8" ADJ. WALL CONTROL VALVE  
 WITH ECCENTRIC STOPS  
 SPECIAL CONFIGURATION  
 CHECK BASE MODEL AND OPTIONS

MODEL:  
 2201-CV

OPTIONS OR MODIFICATIONS:  
 SUPPLY LINES (24" OR 36") CIRCLE LENGTH  
 NIPPLES  
 ELBOWS  
 HANDLES (CROSS OR WRIST) CIRCLE STYLE  
 VANDAL RESISTANT KIT  
 OTHER \_\_\_\_\_

FEATURES

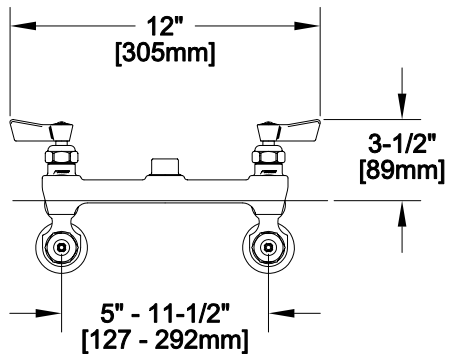
CONTROL VALVE

- \* KEY-STOP ECCENTRICS ADJUST FROM 5" TO 11-1/2"
- \* INTERNAL SPRING LOADED CHECK VALVES
- \* SWIVELLING SEAT DISKS
- \* HOT SIDE STEM - RIGHT HAND
- \* COLD SIDE STEM - LEFT HAND
- \* STAINLESS STEEL SEATS
- \* STAINLESS STEEL SEAT SCREWS
- \* STAINLESS STEEL HANDLE SCREWS

SYSTEM LIMITS

- \* TEMP: 40°F MIN. TO 140°F MAX.
- \* PRESSURE: 200 PSI MAX. STATIC
- \* 13.6 GPM @ 80 PSI

SHIPPING WEIGHT  
 \* 5.0 LBS



ROUGH-IN:

